

PROTECT YOUR INVESTMENT

Schmidt Structural Products complete **WORK SAFE™** line of facility safety products provides fast, easily installed protection for personnel, equipment, and facilities.



Lift out barrier rail



Rack protectors



Door protectors

Access and egress your next project with products from the SSP "Solutions Team"

- Standard stairs-landings-ladders-gates-crossovers
- Quick delivery
- Fast, easy installation-days not weeks
- Tough, durable Powder coat paint finish
- Custom units available



Schmidt Structural Products, Inc.
2024 Cressman Road, P.O. Box 158
Skippack, PA 19474-0158

Contact your SSP dealer today

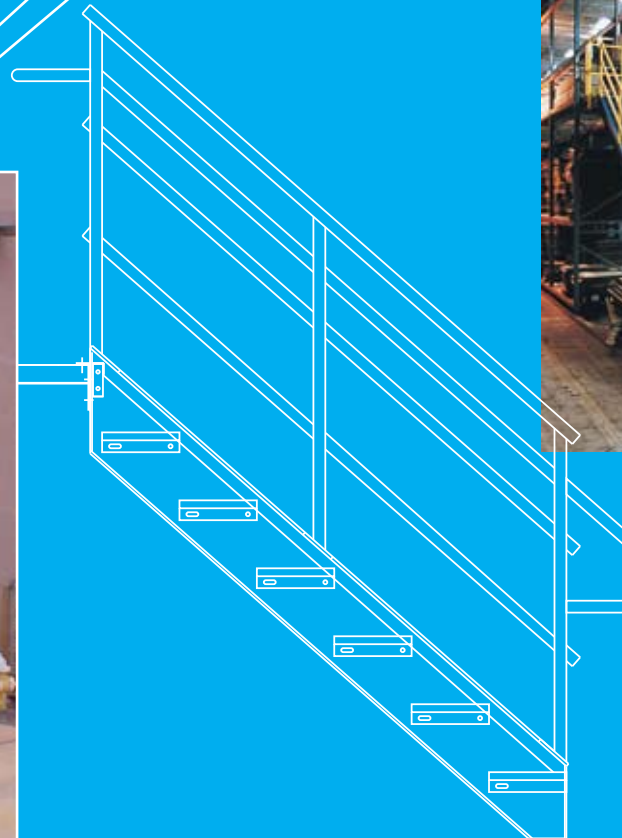


Phone: 800-523-6719
FAX: 215-721-5890
www.schmidtstructural.com

SchmidtAccessories-11-2010.indd

Platform Accessories

ACCESSORIES



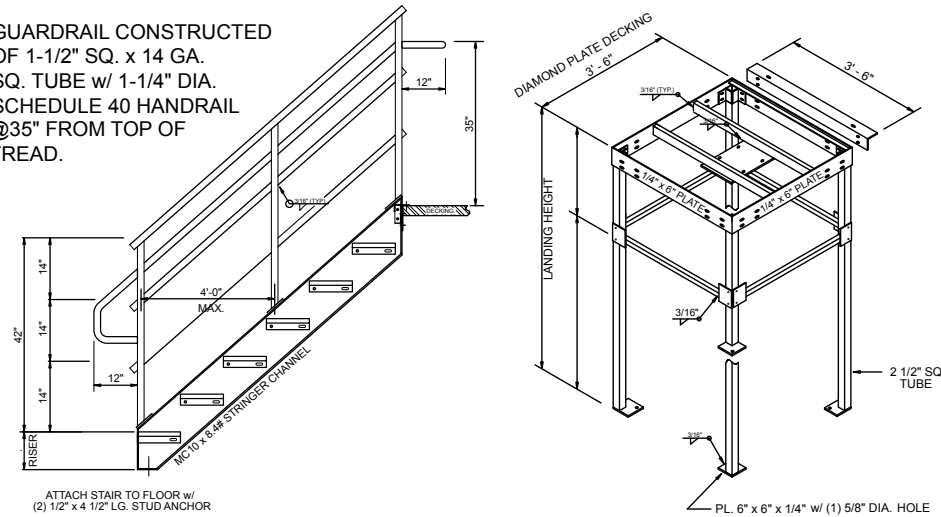
www.schmidtstructural.com

Accessories

Step up to full access with code-compliant stairs



GUARDRAIL CONSTRUCTED OF 1-1/2" SQ. x 14 GA. SQ. TUBE w/ 1-1/4" DIA. SCHEDULE 40 HANDRAIL @35" FROM TOP OF TREAD.



Stairway Features

- Heavy duty MC10 structural side frame
- Durable powder coat paint finish
- Welded inner handrail for I.B.C. Compliance
- Welded handrail construction

IBC CODE STAIRS					
Tread is 11" deep w/ 7" rise 36" wide closed treads w/closed risers		Includes internal stair handrails			
Deck Ht.-FT.	Deck Ht.-IN.	Model No.	Treads	Weight	Overall Run
1-9-1/2" to 2'-4"	21-1/2" to 28"	IBC-SW-03-36	3	288 lbs.	2'-10-1/2"
2'-4-1/2" to 2'-11"	28-1/2" to 35"	IBC-SW-04-36	4	380 lbs.	3'-9-1/2"
2'-11-1/2" to 3'-6"	35-1/2" to 42"	IBC-SW-05-36	5	447 lbs.	4'-8-1/2"
3'-6-1/2" to 4'-1"	42-1/2" to 49"	IBC-SW-06-36	6	514 lbs.	5'-7-1/2"
4'-1-1/2" to 4'-8"	49-1/2" to 56"	IBC-SW-07-36	7	580 lbs.	6'-6-1/2"
4'-8-1/2" to 5'-3"	56-1/2" to 63"	IBC-SW-08-36	8	664 lbs.	7'-5-1/2"
5'-3-1/2" to 5'-10"	63-1/2" to 70"	IBC-SW-09-36	9	731 lbs.	8-4-1/2"
5'-10-1/2" to 6'-5"	70-1/2" to 77"	IBC-SW-10-36	10	806 lbs.	9-3-1/2"
6'-5-1/2" to 7'-0"	77-1/2" to 84"	IBC-SW-11-36	11	873 lbs.	10-2-1/2"
7'-0-1/2" to 7'-7"	84-1/2" to 91"	IBC-SW-12-36	12	955 lbs.	11'-1-1/2"
7'-7-1/2" to 8'-2"	91-1/2" to 98"	IBC-SW-13-36	13	1031 lbs.	12'-0-1/2"
8'-2-1/2" to 8'-9"	98-1/2" to 105"	IBC-SW-14-36	14	1097 lbs.	12'-11-1/2"
8'-9-1/2" to 9'-4"	105-1/2" to 112"	IBC-SW-15-36	15	1173 lbs.	13'-10-1/2"
9'-4-1/2" to 9'-11"	112-1/2" to 119"	IBC-SW-16-36	16	1257 lbs.	14'-9-1/2"
9'-11-1/2" to 10'-6"	119-1/2" to 126"	IBC-SW-17-36	17	1333 lbs.	15'-8-1/2"
10'-6-1/2" to 11'-1"	126-1/2" to 133"	IBC-SW-18-36	18	1399 lbs.	16'-7-1/2"
11'-1-1/2" to 11'-8"	133-1/2" to 140"	IBC-SW-19-39	19	1483 lbs.	17'-6-1/2"
11'-8-1/2" to 12'-3"	140-1/2" to 147"	IBC-SW-20-36*	20	1558 lbs.	18-5-1/2"

Landing Features

- Powder coat paint finish
- Heavy duty 1/8" diamond plate decking
- Handrail and kickplate on two sides standard
- Four (4) column supports
- Two column pedestal supported units available
- Special sizes available
- Baluster handrail available



LANDING REFERENCE CHART			
Size	Description	Model	Wt.
36" x 36"	Standard intermediate landing	LNG-36-36	523 lbs.
42" x 42"	Standard top landing	LNG-42-42	535 lbs.
42" x 42"	L-shape stairway landing	LNG-42-42	560 lbs.
42" x 84"	U-shape stair landing unit	LNG-42-84	1020 lbs.

Gates

- Safe and easy access for product load-unload
- Welded tubular steel construction for heavy duty usage
- Industrial grade hinges and pivots for long life
- Powder coat paint finish



2 door hinged swing gate optional self close (5' and 6' units available)



Pivot gate (Std. 6' unit)



Slide gate (Standard 6' unit)



Corral pivoting safety gate

Handrails/ Kickplate

- Two or three rail code compliant hand rail
- Welded tubular steel uprights and cross-rails
- Heavy gauge kickplate
- Powder coat paint finish



Vertical Ladders



Welded construction OSHA safety cage

Cross Over



GATE REFERENCE CHART			
Description	Model	Sizes	Wt.
2-door hinged swing gate	SGT	5'-0" & 6'-0"	70 lbs.
Self closing impact swing gate	SCGT	6'-0"	90 lbs.
Pivot gate	PGT	6'-0"	126 lbs.
Manually operated slide gate	MSLGT	6'-0"	166 lbs.
Corral Pivoting safety gate	CGT	6'-0"	191 lbs.